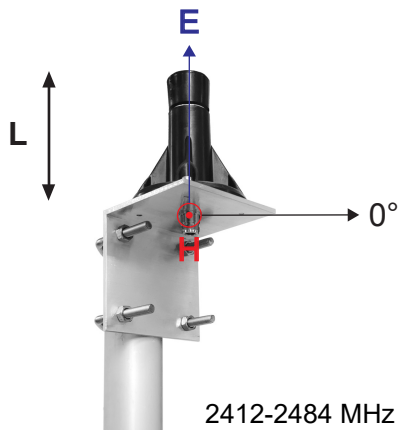
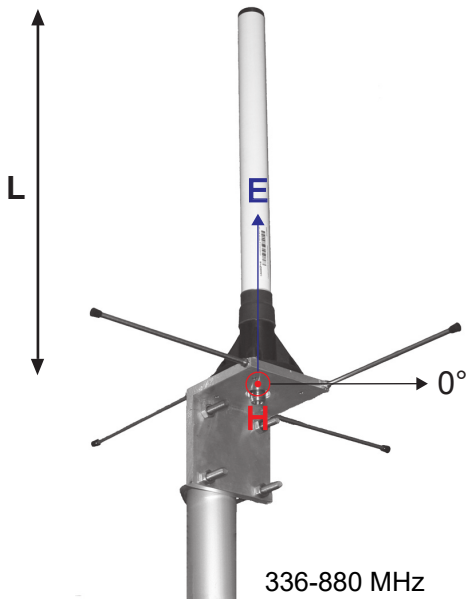


# ComAnt<sup>®</sup> Communications Antennas



## FREQUENCY INDEPENDENT DATA

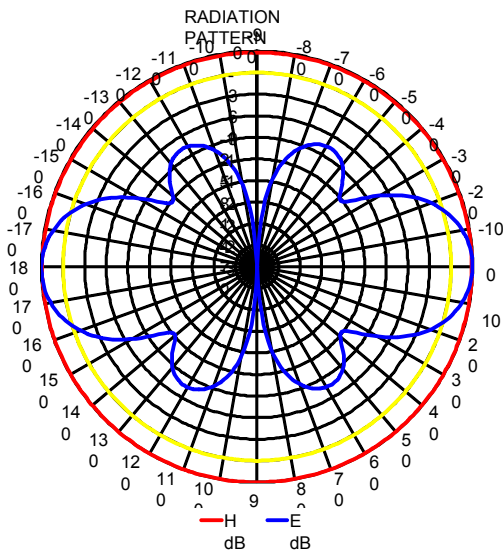
Description: omnidirectional ground plane  
 Frequency: 336-364 MHz  $f_0 \pm 1\%$ ,  
 401-409 MHz, 406-414 MHz  
 416-424 MHz, 426-434 MHz,  
 431-439 MHz, 436-444 MHz,  
 441-449 MHz, 446-454 MHz,  
 456-464 MHz, 465-475 MHz,  
 860-880 MHz, 2412-2484 MHz

Impedance: 50 ohm  
 Gain: 6 dBi  
 H -3 dB: 34°  
 E -3 dB: 0 dB  
 F/B: 0 dB  
 Polarization: vertical  
 Connector: N-female/TNC-female  
 VSWR: < 1.5  
 Radome: UV resistant FG, white /  
 PE, black,  
 PU foam filling

Radiator: copper  
 Attachment: Ø 35-60 mm, aluminium alloy  
 bracket, stainless steel V-  
 bolts and self-locking nuts

Lightning protection: DC-short circuited, -grounded  
 Temperature: -40°C - +80°C  
 IP: 67

- combination of durability, light weight and low wind load
- radome enclosed radiator
- IP67 proof construction
- all electromechanics moulded inside of closed cell PU foam
- UV protected glass fibre radome
- DC shorted and grounded feed point
- integrated impedance compensation



AdriNet d.o.o.  
 Jaruščica 9a  
 10000 Zagreb  
 Croatia

p. +385 1 888 6884  
 f. +385 1 8001 151  
 adrinet@adrinet.hr  
 www.adrinet.hr



RoHS  
 Compliant

CompleTech  
ComAnt<sup>®</sup>-antennas by CompleTech, Finland

CAGP+ OMNIDIRECTIONAL GROUND PLANE